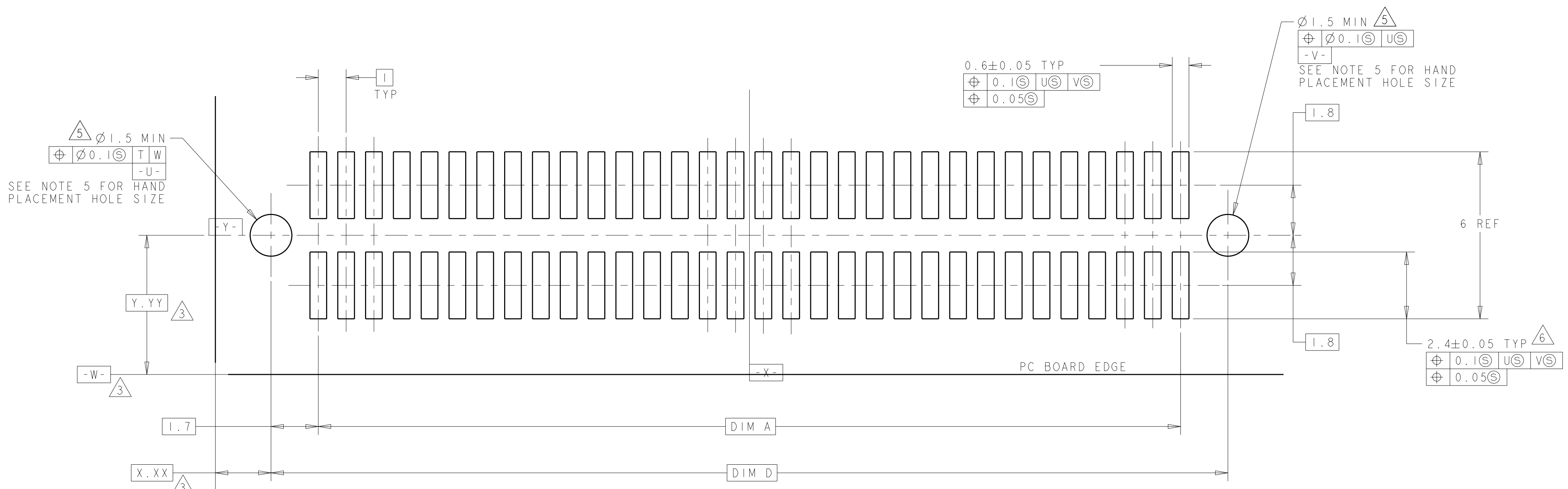
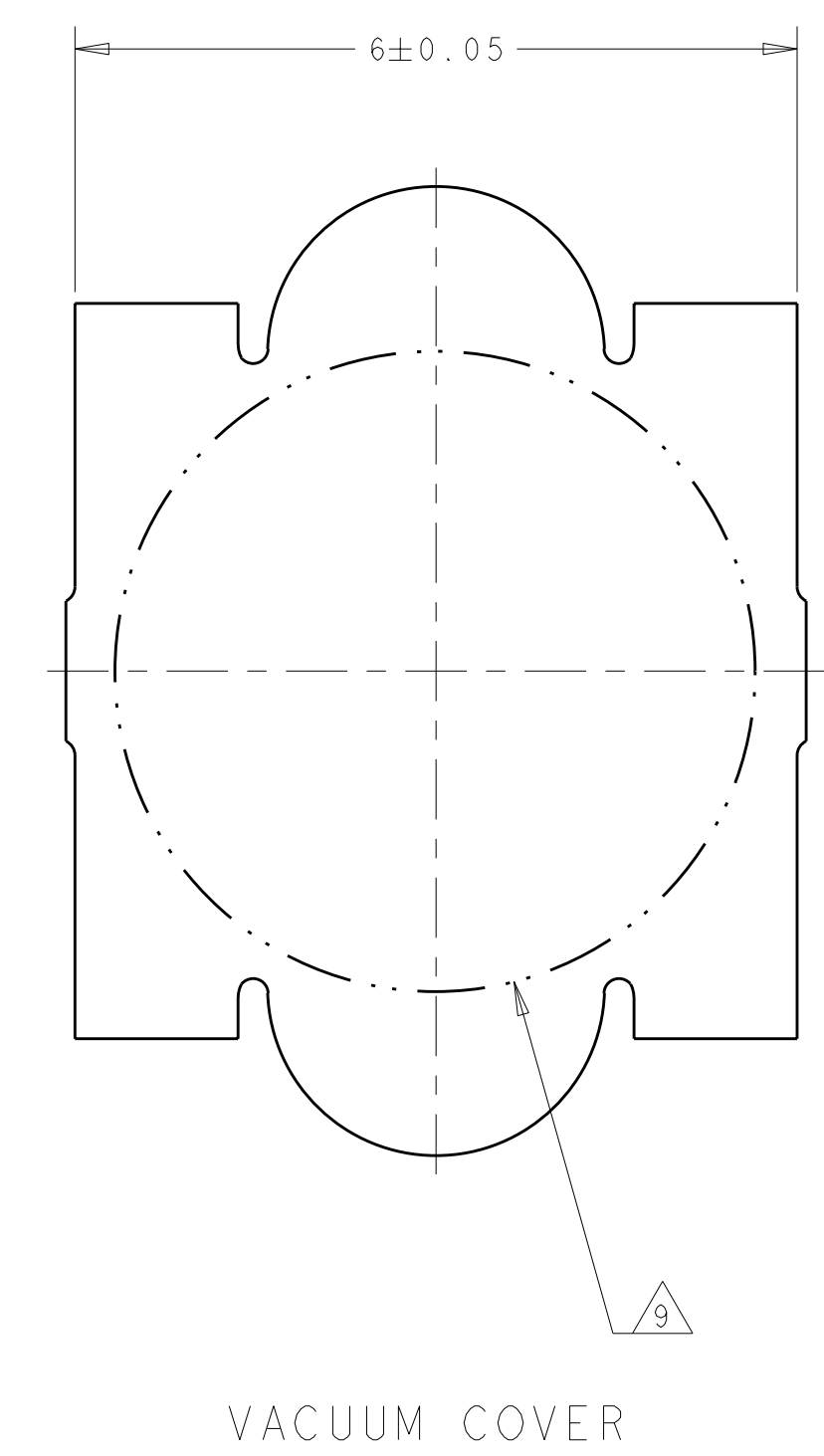
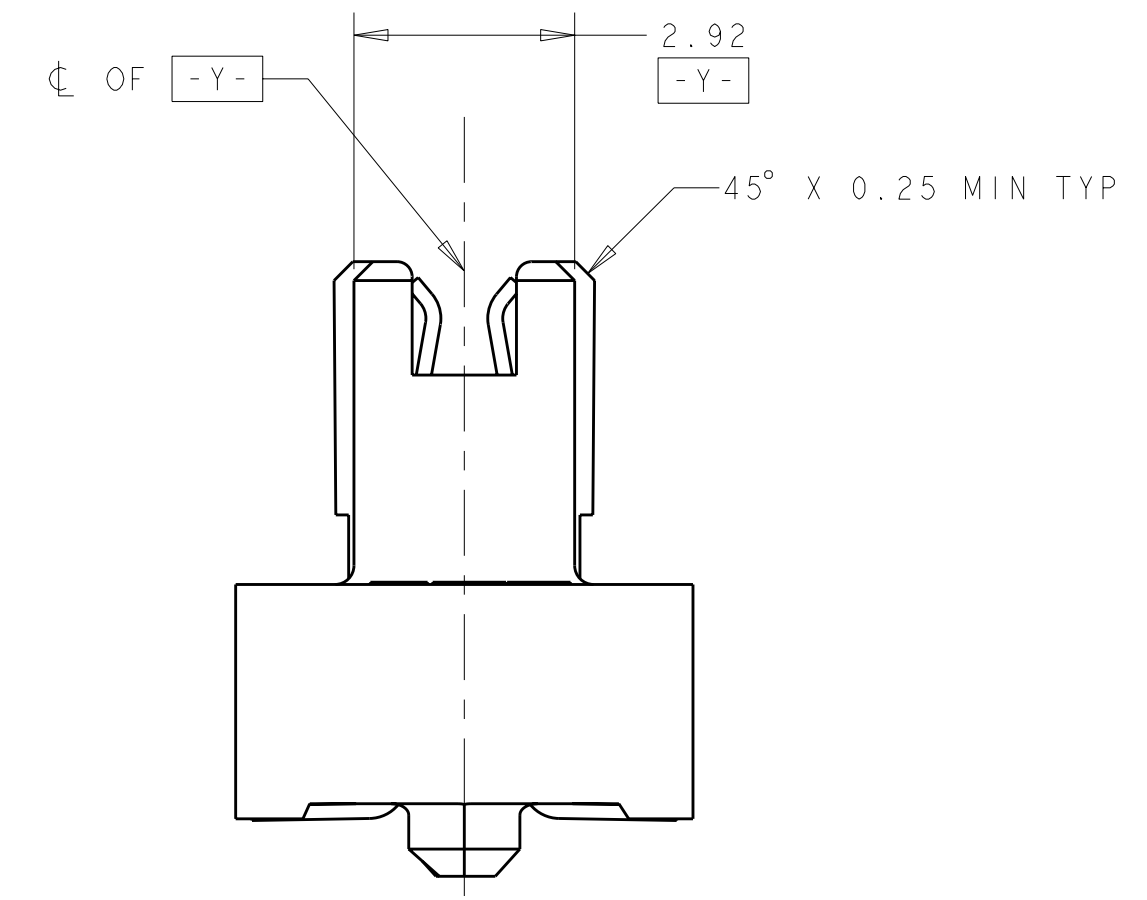
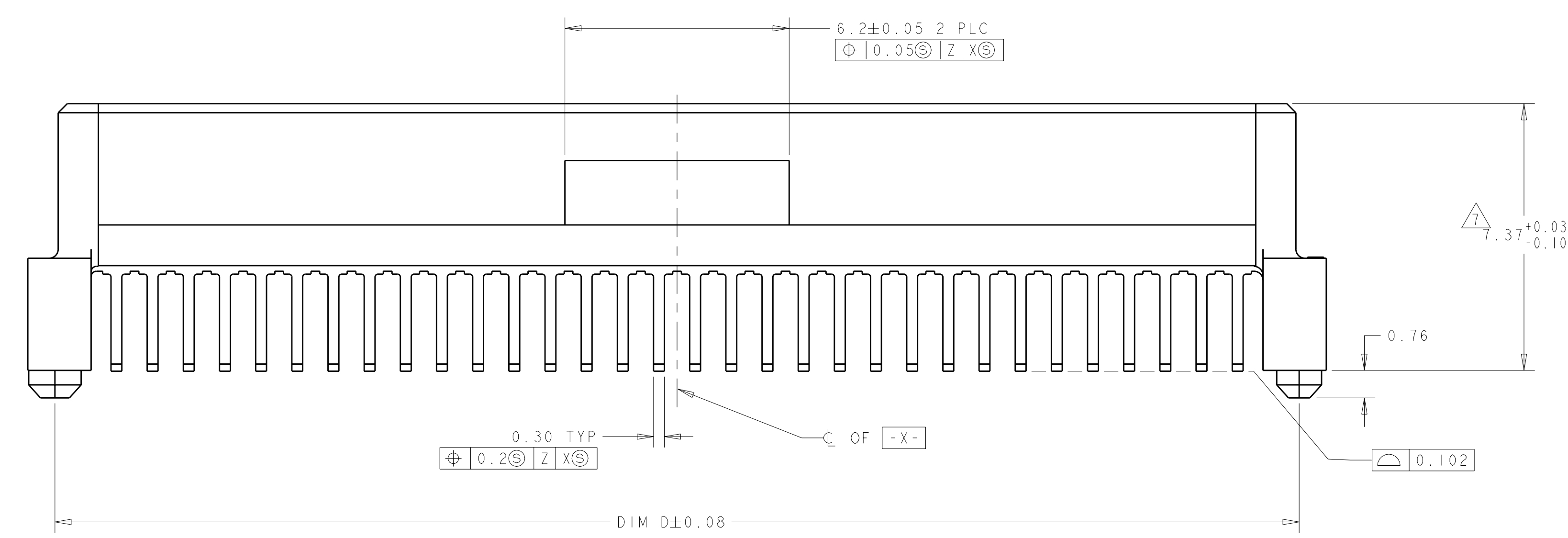
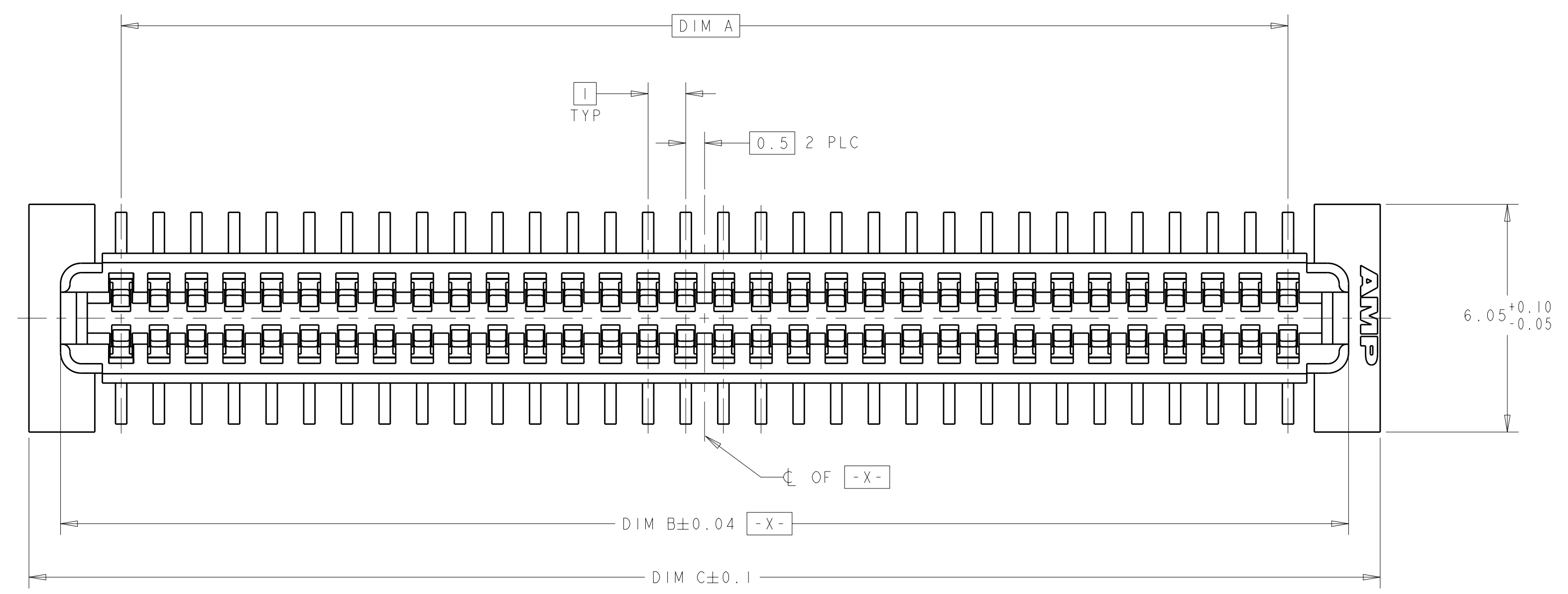


REVISONS		DATE	DWN	APVD
0	REV PER EC 0512-0235-04	01OCT2004	BC	RW
A	REV PER ECO-06-025515	19JAN2007	BC	DB
B	REVISED PER ECO-08-008615	10JUL2008	DH	DB



- 1 HOUSING MATERIAL: HIGH TEMPERATURE THERMOPLASTIC, COLOR: BLACK. CONTACT MATERIAL: PHOSPHOR BRONZE.
- 2 CONTACT FINISH: NICKEL UNDERPLATE ALL OVER, MATING SURFACES PLATED TO MEET PL1 PERFORMANCE REQUIREMENTS OF INDUSTRY SPECIFICATION EIA-700AAAB, SOLDER TAILS PLATED TIN.
- 3 DATUM LOCATIONS AND BASIC DIMENSIONS TO BE ESTABLISHED BY THE CUSTOMER. CONSULT AMP ENGINEERING WHEN PLACING MULTIPLE CONNECTORS ON A PC BOARD.
- 4 PACKAGED IN TAPE ON REEL PER EIA-481.
- 5 1.4 ± 0.05 DIAMETER HOLE WHEN PLACING BY HAND.
- 6 SHORTER SOLDER LANDS MAY BE USED PER EIA 700AAAB, HOWEVER 2.4 LENGTH ASSURES OPTIMUM SOLDER FILLET REGARDLESS OF MANUFACTURER OF CONNECTOR.
- 7 REFERRED TO AS DIM H = 7.3 ± 0.1 IN EIA 700AAAB SPECIFICATION.
- 8 VACUUM COVER NOT SHOWN IN SOME VIEWS FOR CLARITY.
- 9 5.5 MIN DIAMETER TARGET AREA FOR VACUUM PICK-UP.
- 10 CONTACT FINISH: 0.00381 MINIMUM MATTE TIN PER ASTM B 545 ON SOLDER AREA, 0.00127 MINIMUM GOLD PER ASTM B 488 ON MATING AREA, BOTH OVER 0.00127 MINIMUM NICKEL PER SAE-AMS-QQ-N-290 ON ENTIRE CONTACT.
- 11 SEE CATALOG FOR OTHER MATING CONNECTOR OPTIONS.

FINISH	DIM D	DIM C	DIM B	DIM A	MATING CONNECTOR	STACK HEIGHTS	POS	PART NUMBER
10	44.4	45.9	44.22	41	1-5146888-2	12	84	1-5146894-2
10	44.4	45.9	44.22	41	1-5146898-2	11	84	1-5146894-2
10	34.4	35.9	34.22	31	1-5146888-1	12	64	1-5146894-1
10	34.4	35.9	34.22	31	1-5146898-1	11	64	1-5146894-1
2	44.4	45.9	44.22	41	5146888-2	12	84	5146894-2
2	44.4	45.9	44.22	41	5146898-2	11	84	5146894-2
2	34.4	35.9	34.22	31	5146888-1	12	64	5146894-1
2	34.4	35.9	34.22	31	5146898-1	11	64	5146894-1

DIMENSIONS: mm TOLERANCES UNLESS OTHERWISE SPECIFIED: 9 PLC ± 5 PLC ±0.03 4 PLC ±0.003 ANGLES ±0°-1'		DWN: B. CARBO 01OCT04 CHK: R. WERTZ 01OCT04 APVD: R. WERTZ 01OCT04		tyco Electronics Tyco Electronics Harrisburg, PA 17105-3608	
MATERIAL: SEE TABLE		PRODUCT SPEC: 502-1079 APPLICATION SPEC: 114-25045		NAME: RECEPTACLE ASSY, W/VACUUM COVER, 1.0mm FH(IEEE 1386) CONNECTOR	
CUSTOMER DRAWING		WEIGHT: - SCALE: 10:1		SIZE: A11 CAGE CODE: 00779 DRAWING NO: 5146894 SHEET 1 OF 1 REV B	